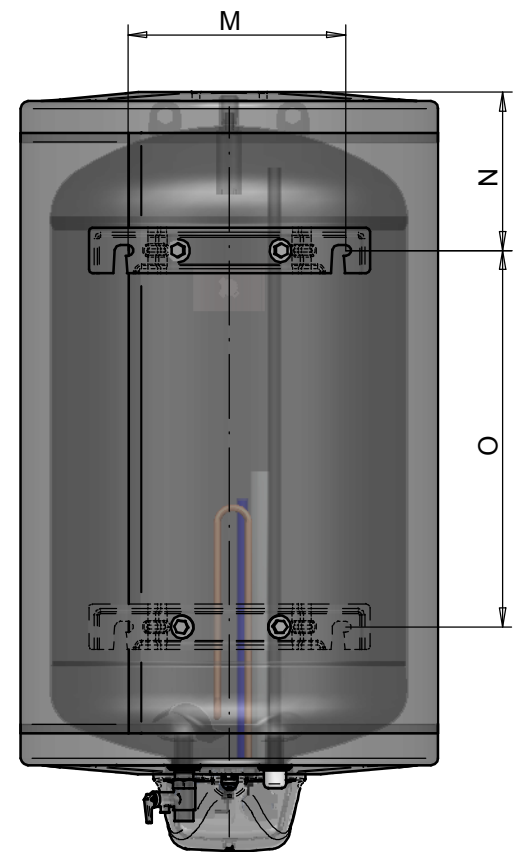
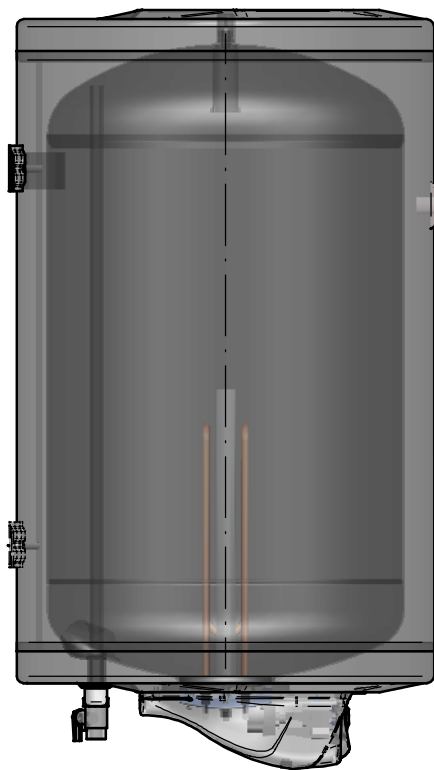
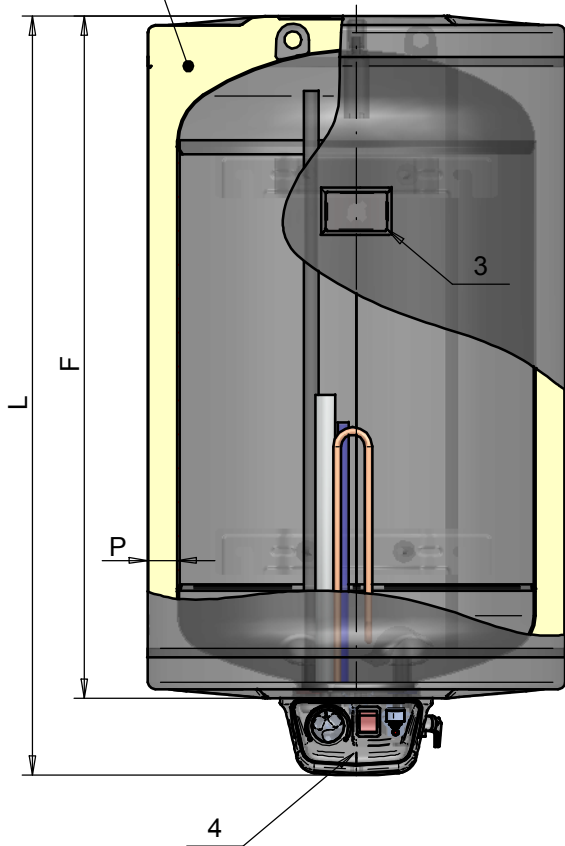


Insulation polyurethane



Wall mounting water heaters	Enameled		72269	72267	72268	72265	72270	72266	72280M	72280	72281
	Stainless		72269H	72267H	72268H	72265H	72270H	72266H	72280MH	72280H	72281H
<b>CHARACTERISTICS</b>											
Rated volume	L		30	50	80	80	100	120	150	150	200
Rated voltage	V		220-230~			220-230~			220-230~		
Rated electrical power	kW		1,5	2	3	3			3		
Rated pressure	bar		6			6			6		
Maximum D.H.W. tank temperature in	°C		75			75			75		
Weight when empty	Enameled	kg	12,5	16,4	21,5	22	26	30,3	40	43,8	55,2
	Stainless		11,5	14,4	19,2	19,5	23,5	25,9	32	37,8	48,3
<b>CONNECTIONS</b>											
1: Hot water outlet	"GAS/M					1/2					
2: Fresh water inlet (Drain) Safety valve	"GAS/M					1/2					
3: Temperature indicator	-										
4: Control panel	-										
<b>DIMENSIONS</b>											
Level D	mm		Ø385			Ø460			Ø586		
Level F	mm		470	665	980	740	915	1080	1330	930	1170
Level I	mm		400			474			600		
Level J	mm		80			96			105		
Level K	mm		100			100			100		
Level L	mm		555	750	1065	825	1000	1165	1415	1015	1255
Level M	mm		240			240			240		
Level N	mm		144			175			190		
Level O	mm		-	-	-	-	-	-	1003	560	780
Level P	mm		32			32			43		